

Product Information

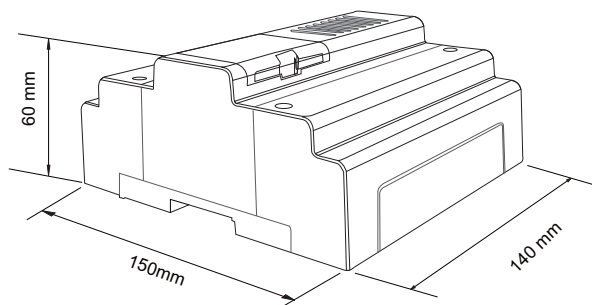
DT Accessories
DT-TPC



DESCRIPTION

2-wire system telephone converter

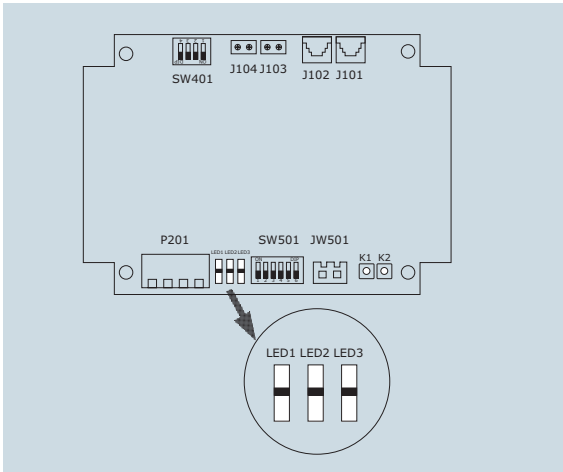
DIMENSION



FEATURES

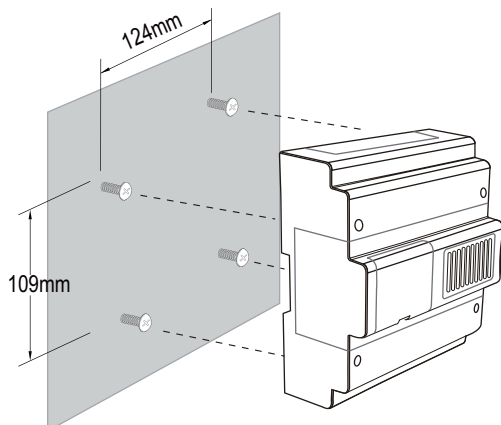
- ▶ Telephone transfer to fixed telephone or mobile phone
 - ▶ Maximum 3 telephone number can be set on monitor.
 - ▶ Must be with TPC function for monitor
 - ▶ Application: villa and apartment
-

1. Parts and Functions

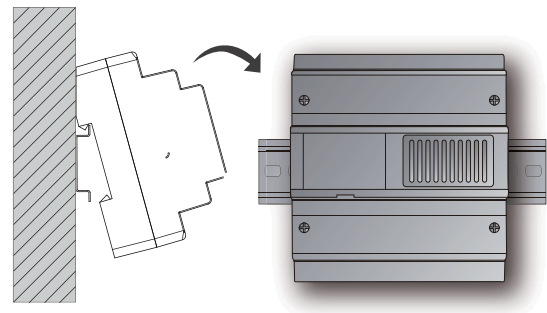


- **P201:** Main connection port
- **LED1:** Indicator
- **LED2:** Indicator
- **LED3:** Indicator
- **K1:** Control working mode
- **K2:** Control working mode
- **SW501:** DIP switches, set the configuration
- **JW501:** 485 connection port
- **J101:** Connect to the telephone network
- **J102:** Connect to the telephone
- **J103:** The same as J101, just terminal is different
- **J104:** The same as J102, just terminal is different
- **SW401:** DIP switches, set the configuration

2. Unit Mounting



Direct Wall Mounting



DIN Rail Mounting

3. Specification

- * Power Supply : DC 24V;
- * Power Consumption: Standby 30mA; Working status 125mA;
- * Temperature: $-10^{\circ}\text{C}\sim+40^{\circ}\text{C}$;
- * Wiring: 2 wires (non-polarity);
- * Dimension: $140(\text{H})\times 150(\text{W})\times 60(\text{D})\text{mm}$

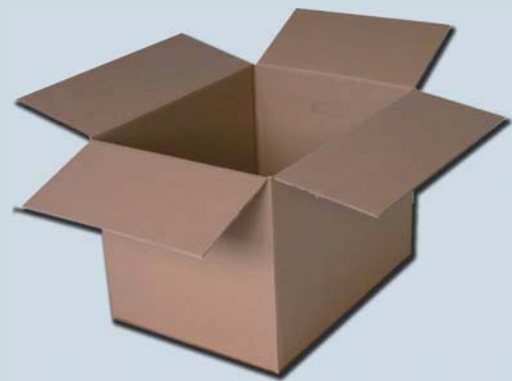
4. Ordering Information

Model No.	Brief Description	Remark
DT-TPC	Telephone convertor	Divert calls from monitor to telephone

5. Packing Information



Dimensions: 153(H) X148(W) X68(D) mm
Gross Weight: 0.5Kg



Carton: 495(H) X403(W) X310(D) mm
Quantity: 30PCS