

Product Information

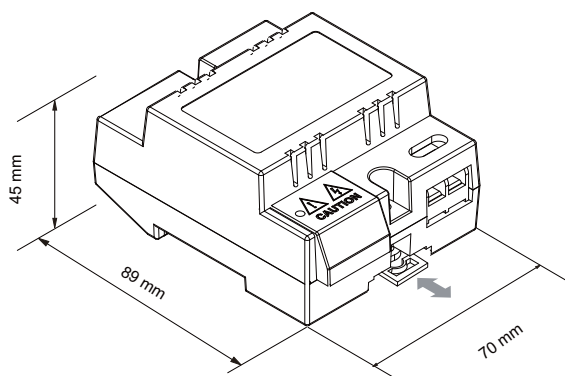
DT Accessories PS4-24V



DESCRIPTION

2-wire system 24V Power supply

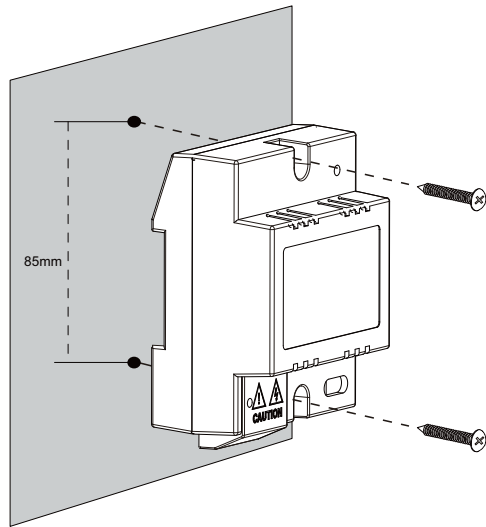
DIMENSION



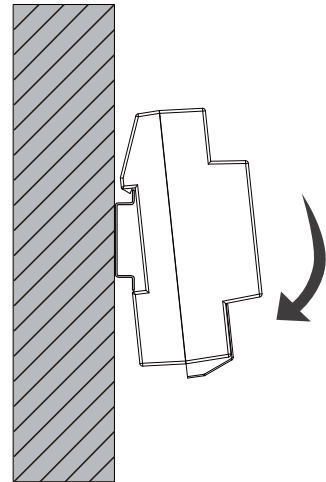
FEATURES

- ▶ 24Vdc output(can ONLY connect one Monitor);
- ▶ Both DIN bar mounting and direct wall mounting;
- ▶ Wide range input voltage

1. Unit Mounting



Direct Wall Mounting



DIN Rail Mounting

2. Specification

- * Input Voltage: 100~240Vac
- * Input Frequency: 50~60 Hz
- * Rated Output Voltage: 24Vdc
- * Rated Output Current: 1A
- * Wiring: 2 wires (non-polarity);
- * Dimension: 89(H)×70(W)×45(D)mm

3. Ordering Information

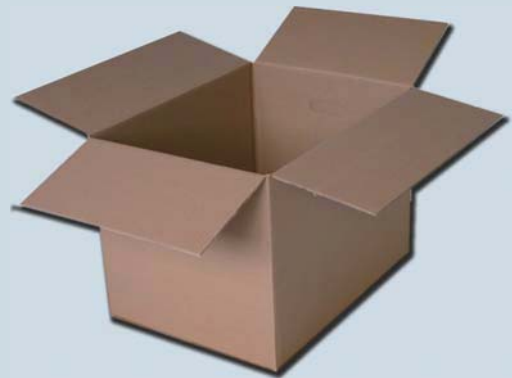
Model No.	Brief Description	Remark
PS4-24V	24V Power supply	

4. Packing Information



Dimensions: 100(H)×85(W)×60(D)mm

Gross Weight: 0.17Kg



Carton: 450 (H)×310 (W)×110 (D)mm

Quantity: 25PCS